

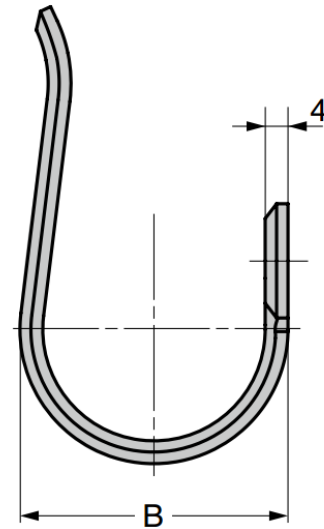
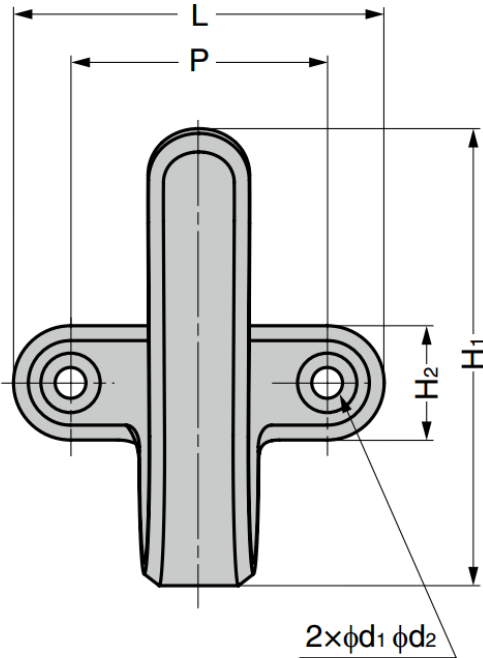
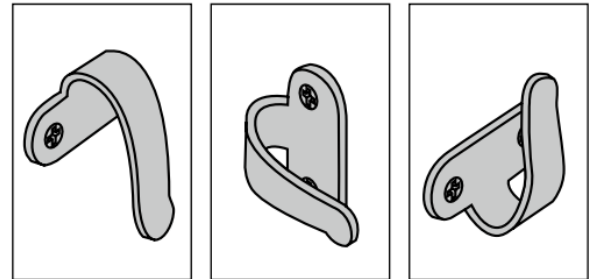
G4H Large Utility Hook

Features

- Chamfered design
- Can be used for various applications
- Available in two finishes

Parts Included

- **G4H-40, G4H-55:** Raised countersunk head wood screw 4.1×16 (SUS)
- **G4H-65:** Raised countersunk head wood screw 5.1×20 (SUS)



Part No.	Material	Finish	L	P	H ₁	H ₂	B	d ₁	d ₂	Load Capacity	
G4H-40M	Stainless Steel 304	Polished	40	27	47	13	30	4.4	8.4	290 N	30 kg
G4H-40TT		Polished and Satin									
G4H-55M		Polished	55	38	65	17	40			260 N	27 kg
G4H-55TT		Polished and Satin									
G4H-65M		Polished	65	45	80	20	47			170 N	17 kg
G4H-65TT		Polished and Satin									